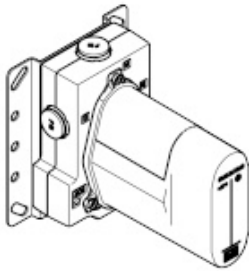




Shower - Concealed rough parts

Concealed thermostat with integrated supply stops -

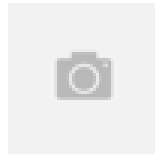
Article number: 35 426 970-90 0010



- integrated stop
- lead free compliant
- 2x back flow preventer
- 2x Connection 1/2" IT (cold/warm), DN 15
- 3x outlet 1/2"
- Mud guard
- Water protection
- Noise and heat insulation
- Center to center 2-3/4"

**Codes & Standards**

- ASME A112.18.1/CSA B125.1

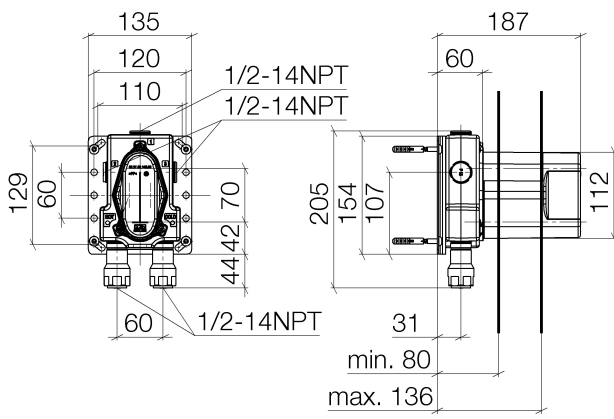


Discontinued items available to order until 31.12.9999



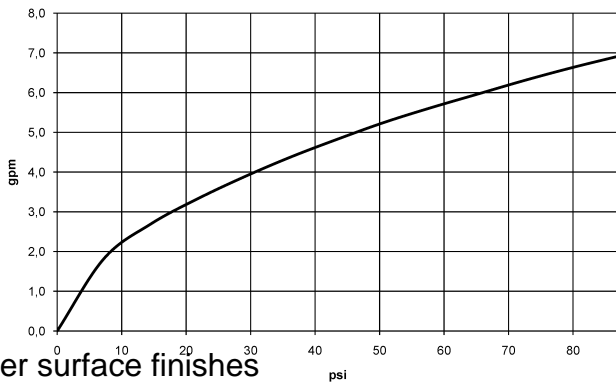
Shower - Concealed rough parts  
 Concealed thermostat with integrated supply stops -  
 Article number: 35 426 970-90 0010

### Dimensional drawing



All dimensions in mm / inch = mm x 0,0394

### Flow rate chart

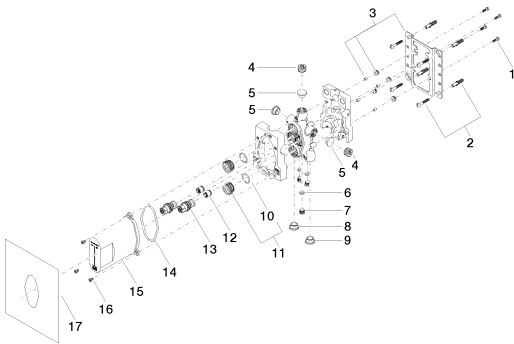


### Other surface finishes

More custom finish options are available via special production (xTra Service). Please see our finish matrix for availability and pricing or contact a Dornbracht representative.

Shower - Concealed rough parts  
 Concealed thermostat with integrated supply stops -  
 Article number: 35 426 970-90 0010

Spare parts list



Number	Item Number	Designation	Number of units
1	09 30 30 171 90	screw	4
2	04 30 31 024 01 90	fixing set	2
3	04 17 20 127 00 90	holder	1
4	09 31 20 064 90	plug	2
5	09 31 20 092 90	plug	3
6	09 14 10 139 90	seal	3
7	09 31 20 039 10 90	plug	3
8	09 31 20 093 90	plug	1
9	09 31 20 094 90	plug	1
10	09 14 10 112 90	seal	2
11	04 30 11 149 00 90	plug	2
12	90 23 01 040 00 90	back-flow preventer	2
13	04 29 05 031 01 90	insert	2
14	09 14 10 512 90	seal	1
15	04 21 02 146 00 90	cap	1
16	09 30 30 112 90	screw	3
17	04 14 03 080 00 90	gasket kit	1